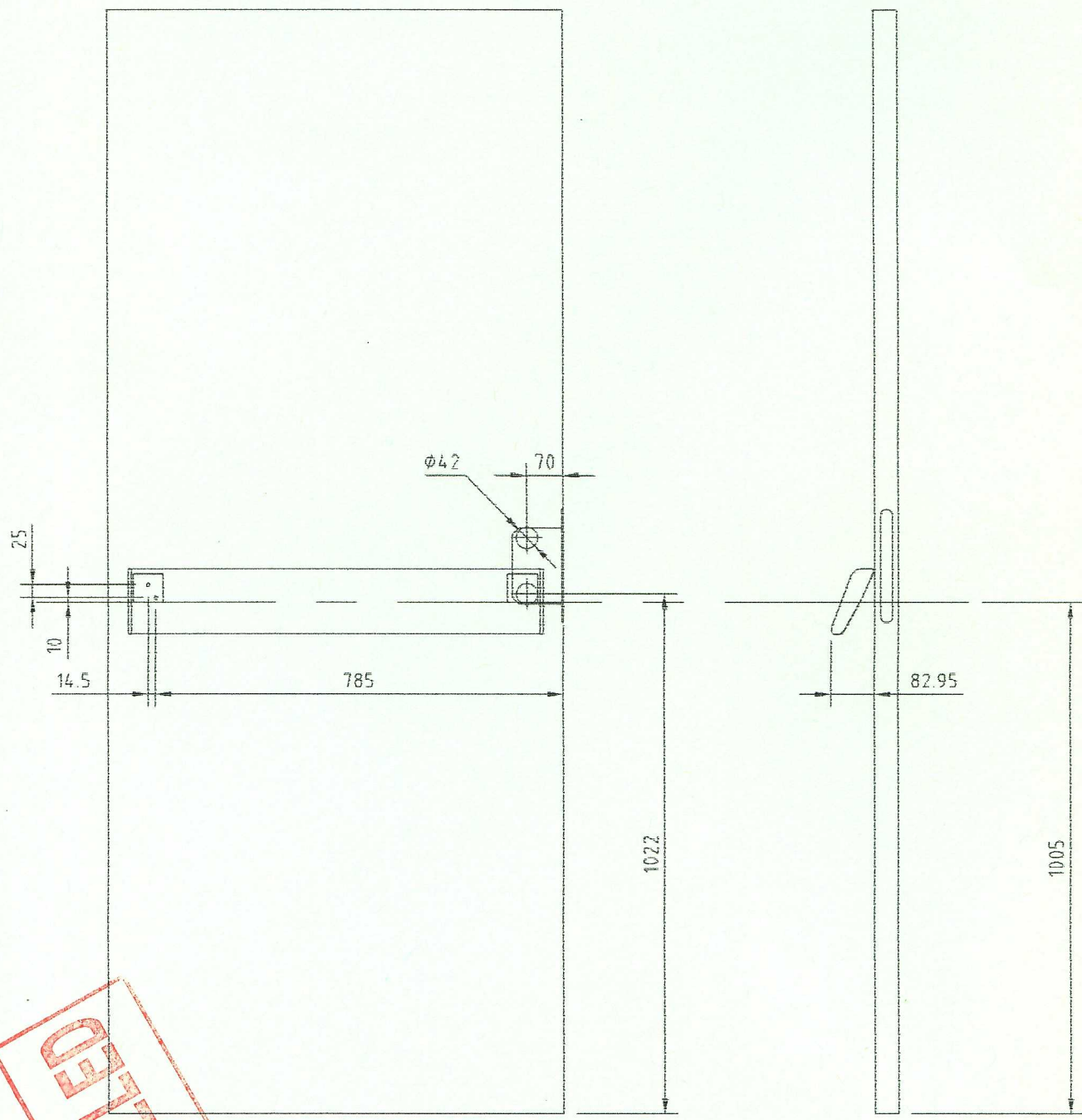


1A

UNCONTROLLED



ITEM	QTY	DESCRIPTION	ISSUE	DATE	DRAWN	SCALE	CHECKED	DRG No	TITLE
			A	15/12/05	B/JT	1:1	1:1	M0420/06B	944 RH DETAILS
			CHANGE RECORD						
<p>DO NOT SCALE - IF IN DOUBT ASK REMOVE ALL DIMENSIONS UNLESS OTHERWISE SPECIFIED</p> <p>TOLERANCE ON DIMENSIONS UNLESS OTHERWISE SPECIFIED</p> <p>FRACTIONAL 4/100</p> <p>DECIMAL 40/15</p> <p>ANGULAR 2/10'</p>									
<p>THIS PRINT IS LOANED - NOT GIVEN SOLELY FOR YOUR CONFIDENTIAL USE. IT IS TO BE RETURNED TO THE ISSUING OFFICE WITH ANY INFORMATION ON DISCLOSURE WITHOUT THE WRITTEN CONSENT OF THIS COMPANY.</p>									
<p>DO NOT SCALE - IF IN DOUBT ASK REMOVE ALL DIMENSIONS UNLESS OTHERWISE SPECIFIED</p> <p>TOLERANCE ON DIMENSIONS UNLESS OTHERWISE SPECIFIED</p> <p>FRACTIONAL 4/100</p> <p>DECIMAL 40/15</p> <p>ANGULAR 2/10'</p>									