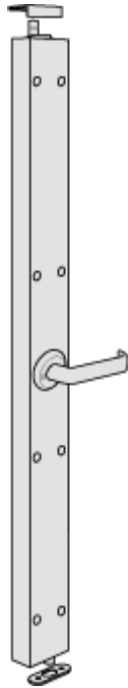




# SURFACE MOUNTED EMERGENCY EXIT HARDWARE WITH LEVER HANDLE



### OPERATION

Operating the lever handle on this emergency exit hardware, immediately retracts the locking shoots at the top and bottom on the leading edge of the door. This emergency exit device allows for fast, single action operation to open the door. The unique light action automatic bolting upon door closure is fitted as standard. The independently sprung bolts are steel, non-tapered with a 23mm throw, offering a high level of safety without compromising security.



### APPLICATIONS

Suitable for use in areas where occupants are likely to be familiar with the operation of the emergency exit device. The light and simple action for ease of escape makes the MICO lever handle two point locking ideal for many safety and security applications. Examples include for use in private offices, stores, plant rooms and small workshops where rapid escape in an emergency is always required.

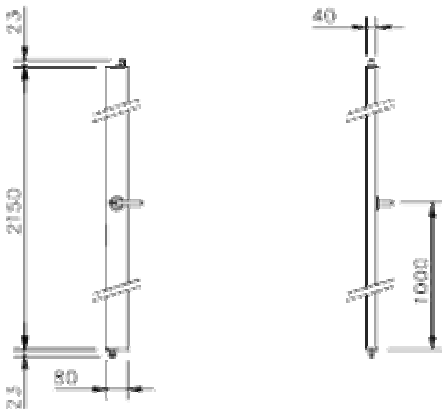
For use on single doors, and double doors with plain meeting stiles. Suitable for inward or outward opening doors

Conforms to all the requirements of BS EN 179 Certified to CE No. 37601341A

### DIMENSIONS

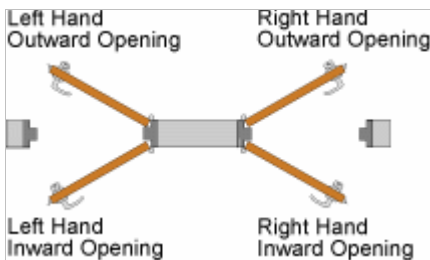
Standard height of 2150mm (can be reduced on site to suit)  
Extension kits also available, increasing the height to 3000mm

Mechanism zinc plated steel. External housings are aluminium.



### HANDING

This unit is handed and directional. When ordering please specify hand (LH or RH) and direction of opening (inwards or outwards, IN or OUT), as shown on the left.



### OPTIONS

- Microswitching
- Key Dogging
- External Access
- Double Doors

To order specify: 942L MS (self handing)

To order specify: 942L DC

See optional accessories.

Order 2 x MICO 942L on double doors with plain meeting stiles.

### Finishes

SAA finish supplied as standard. Wide range of other metallic and coloured (RAL) finishes available. Please ask for details.