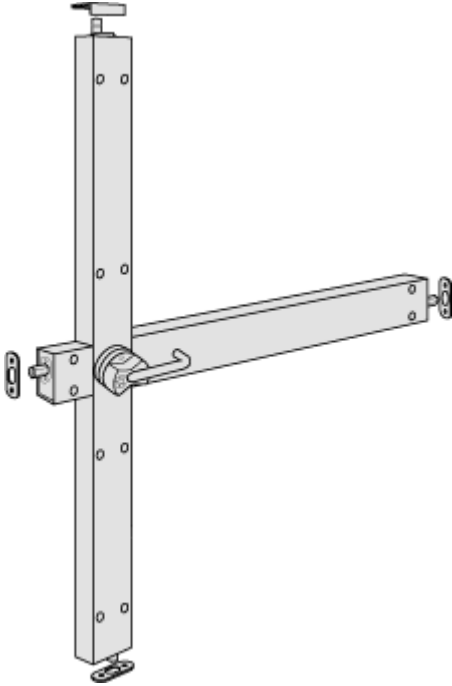




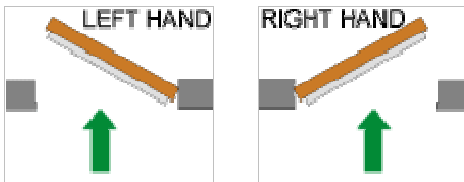
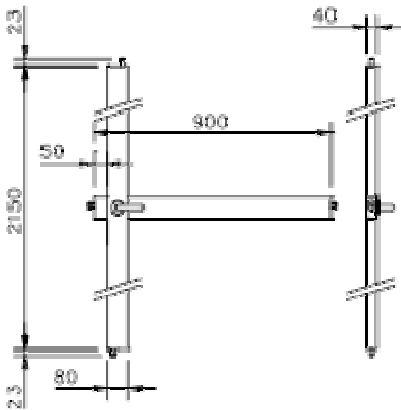
SAFETY AND SECURITY WITH STYLE

MICO 942-4 BDO

SURFACE MOUNTED PANIC BOLT WITH BREAK DOME LEVER HANDLE



Drawing Not to Scale. Drawing shows outward opening unit.



OPERATION

Pressing the pad, which has the instruction PUSH on the point of use, immediately retracts the locking shoots at the top, bottom and on the leading edge of the door. This emergency exit device allows for fast, single action operation to open the door. The lever is fitted with a green plastic dome which is broken off when the handle is operated, deterring casual use and providing a clear visual indication that the door has been opened. This emergency exit device allows for fast, single action operation to open the door. The unique light action automatic bolting upon door closure is fitted as standard. The independently sprung bolts are steel, non-tapered with a 23mm throw. The dome is fitted using replacable plastic breakpins. This provides a high level of security without compromising on safety.

APPLICATIONS

Suitable for use in areas where high security and rapid escape in the event of an emergency are required. The light single action ease of operation makes the MICO four point ideal for escape doors requiring a higher level of security. This unit can also be supplied with either a Push Pad which has the instruction PUSH on the point of use or Lever Handle versions.

Examples include local authorities, retail stores, retail parks, computer rooms, factories and schools.

Suitable only for outward opening doors

DIMENSIONS

Standard height of 2150mm (can be reduced on site to suit)
Extension kits also available, increasing the height to 3000mm

Non standard height single piece units readily available to separate instructions.

Mechanism zinc plated steel. External housings are aluminium.

HANDING

This system is handed (LH or RH)

OPTIONS

Microswitching
Key Dogging
External Access
Fixings

Receivers

Finishes

To order specify: 942-4 BDO MS (self handing)

To order specify: 942-4 BDO DC

Not available

High security dowel fixings available. To order specify: 94210-4 BDO

Dust proof and rim fixed receivers readily available. See optional alternatives.

SAA finish supplied as standard. Wide range of other metallic and coloured (RAL) finishes available. Please ask for details.

HIGH SECURITY MULTI POINT LOCKING SYSTEMS