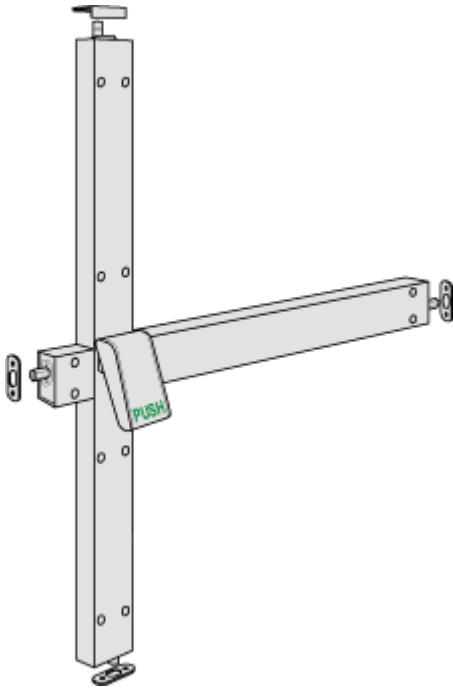




SURFACE MOUNTED 4 POINT MULTI-POINT LOCKING WITH PUSH PAD



Drawing Not to Scale.

OPERATION

Pressing the pad, which has the instruction PUSH on the point of use, immediately retracts the locking shoots at the top, bottom, leading edge and hinge side of the door. This high security multi-point exit device allows for fast, single action operation to open the door. The unique light action automatic bolting upon door closure is fitted as standard. The independently sprung bolts are steel, non-tapered with up to 23mm throw, offering a high level of security without compromising on safety.

APPLICATIONS

Suitable for use in areas where high security and rapid escape in the event of an emergency are required. The light single action ease of operation makes the MICO four point ideal for doors requiring a higher level of security. This unit can also be supplied with either a Push Pad which has the instruction PUSH on the point of use or Lever Handle versions.

Examples include local authorities, retail stores, retail parks, computer rooms, factories and schools.

DIMENSIONS

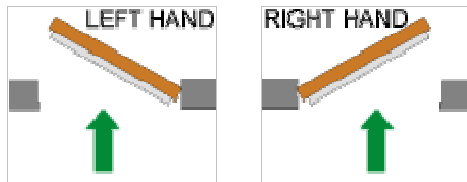
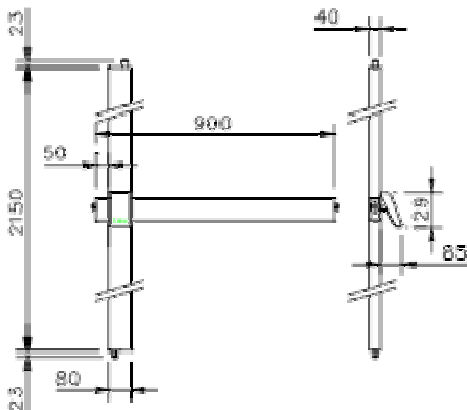
Standard height of 2150mm (can be reduced on site to suit)
 Extension kits also available, increasing the height to 3000mm
 Non-standard height single piece units readily available to separate instructions.
 Mechanism zinc plated steel. External housings are aluminium.

HANDING

This system is handed (LH or RH)

OPTIONS

Microswitching	To order specify: 942-4P MS (self handing)
Key Dogging	To order specify: 942-4P DC
External Access	See optional alternatives.
Fixings	High security dowel fixings available. To order specify: 94210-4P
Receivers	Dust proof and rim fixed receivers readily available. See optional alternatives.
Finishes	SAA finish supplied as standard. Wide range of other metallic and coloured (RAL) finishes available. Please ask for details.



HIGH SECURITY MULTI POINT LOCKING SYSTEMS