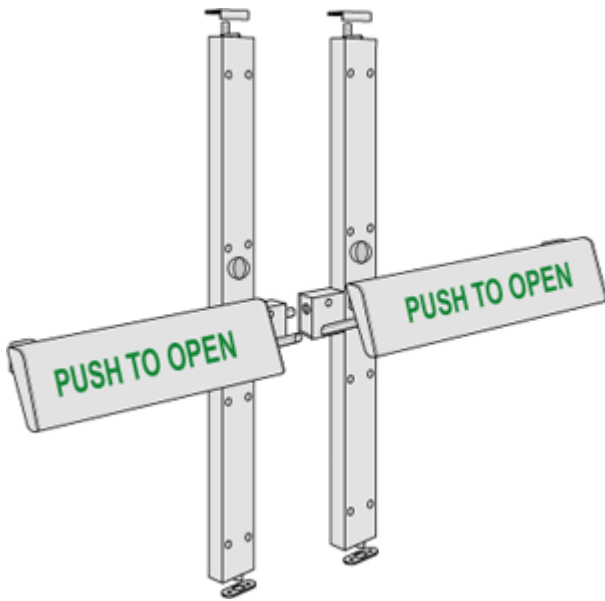




**SURFACE MOUNTED 5 POINT LOCKING WITH FULL WIDTH PUSH PLATES, INTERLINK ARM & INTEGRATED MANUAL DEADLOCKS FOR DOUBLE DOORS**



Drawing Not to Scale.

**OPERATION**

Active leaf: 3 Point Locking with Full Width Push Plate and Manual Deadlock

Passive leaf: 2 Point Locking with Full Width Push Plate and Manual Deadlock

High security multi-point locking allows for a fast easy operation to open a rebated double doorset. A MICO 3 point high security bolt with push plate is fitted to the active leaf, and a 2 point MICO unit with push plate and interlink arm is fitted to the passive leaf. Pressing the push plate on the active leaf, which has the instruction PUSH TO OPEN on the point of use, immediately retracts the locking shoots at the top, bottom and on the leading edge of the active leaf. Pressing the push plate on the passive leaf, which has the same PUSH TO OPEN instruction on the point of use, immediately retracts the locking shoots at the top and bottom, and via the interlink arm also retracts the locking shoots at the top, bottom and on the leading edge of the active leaf, thus allowing both doors to open. This emergency exit device allows for fast, single action operation to open the active leaf, or a single action operation on the passive leaf to open both doors as required. At the close of business the bolts may be deadlocked by key from the inside, which deactivates the push plate, making access impossible until it is unlocked. An internal micro switch, which may be connected to the alarm system, monitors the bolt status whether the unit is locked or unlocked. The independently sprung bolts are steel, non-tapered with a 23mm throw, offering a high level of safety without compromising security. The unit when ordered as a complete double door set is supplied with an interlink arm and a rim mounted striking plate for the 3rd point locking shoot ensuring a secure interlock between the active and passive leaves, while ensuring a single action to open either the active leaf or both leaves.

**APPLICATIONS**

Suitable for use in high security applications where rapid escape in an emergency is always required at certain times of the day, but high security is required the remainder of the time. The light action, ease of operation makes the MICO five point, complete with a micro-switched deadlock and interlink arm, ideal for double escape doors requiring a very high level of security. The system is designed to be linked to an alarm within the building. The alarm cannot be set until the MICO unit is locked or the alarm cannot be deactivated until it has been unlocked.

Examples include central government departments, computer supermarkets, retail stores, retail parks, retail premises and buildings which are open to the public at specific times.

**DIMENSIONS**

Standard height of 2150mm (can be reduced on site to suit)

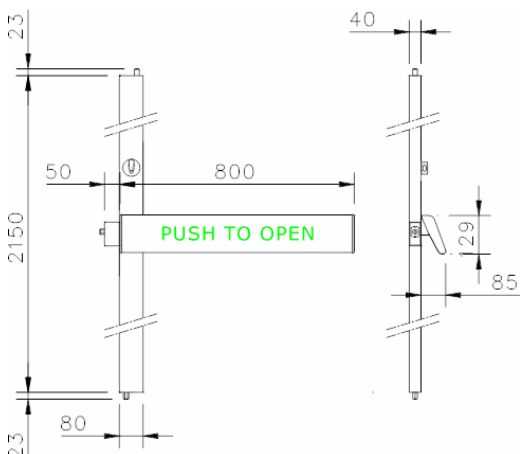
Extension kits also available, increasing the height to 3000mm

Non-standard height single piece units readily available to separate instructions.

Push plate width = 800mm (suitable for door widths 925mm - 1300mm)

Other widths readily available to order (push plate can be cut to size on site or in a workshop)

Mechanism zinc plated steel. External housings are aluminium.



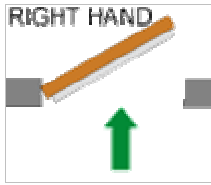
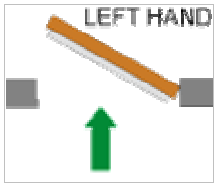
HIGH SECURITY MULTI POINT LOCKING SYSTEMS



SAFETY AND SECURITY WITH STYLE

MICO 942-3 INT MD/942 INT MD

SURFACE MOUNTED 5 POINT LOCKING WITH FULL WIDTH PUSH PLATES,  
INTERLINK ARM & INTEGRATED MANUAL DEADLOCKS FOR DOUBLE DOORS



#### HANDING & DIRECTION

This unit is handed (LH or RH). When ordering double door units, specify the handing of the active leaf.

#### OPTIONS

**Microswitching**

To order specify: 942-3 MS (self handing)  
To order specify: 942 MS (self handing)

**Key Dogging**

To order specify: 942-3 DC  
To order specify: 942 DC

**External Access**

See optional alternatives.

**Fixings**

High security dowel fixings available. To order specify: 94210-3 / 94210

**Receivers**

Dust proof and rim fixed receivers readily available. See optional alternatives.

**Finishes**

SAA finish supplied as standard. Wide range of other metallic and coloured (RAL) finishes available. Please ask for details.

HIGH SECURITY MULTI POINT LOCKING SYSTEMS