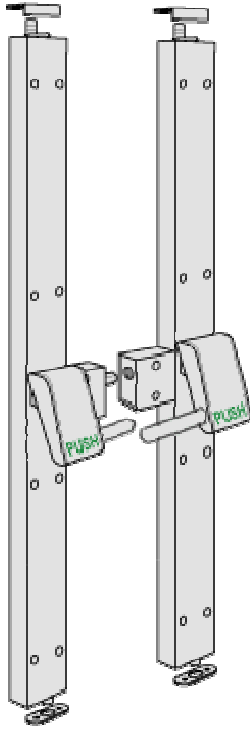
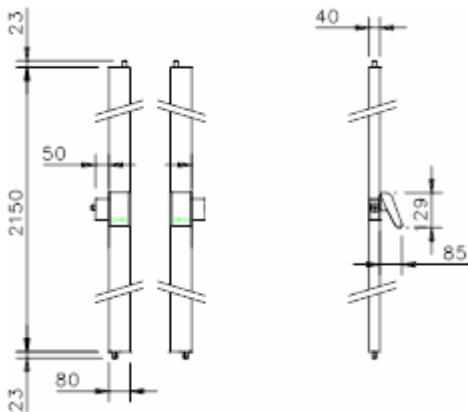




SURFACE MOUNTED 5 POINT LOCKING WITH PUSH PADS FOR DOUBLE DOORS



Drawing Not to Scale.

**OPERATION**

Active leaf: 3 Point Locking with Push Pad

Passive leaf: 2 Point Locking with Push Pad

High security multi-point locking allows for a fast easy operation to open a rebated double doorset. A MICO 3 point high security bolt with push pad is fitted to the active leaf, and a 2 point MICO unit with push pad is fitted to the passive leaf. Pressing the push pad on the active leaf, which has the instruction PUSH on the point of use, immediately retracts the locking shoots at the top, bottom and on the leading edge of the active leaf. Pressing the push pad on the passive leaf, which has the same PUSH instruction on the point of use, immediately retracts the locking shoots at the top and bottom on the leading edge of the passive leaf. This exit device allows for fast, single action operation to open the active leaf, and a simple second action to open the passive leaf as required. The unique light action automatic bolting upon door closure is fitted as standard.

The independently sprung bolts are steel, non-tapered with a 23mm throw, offering a high level of safety without compromising security.

The unit when ordered as a complete double door set is supplied with a rim mounted receiver for the 3rd point locking shoot ensuring a secure interlock between the active and passive leaves.

APPLICATIONS

Suitable for use in areas where occupants are likely to be familiar with the operation of the exit device. The light dual action, ease of operation makes the MICO five point ideal for double escape doors requiring a higher level of security. Examples include local authorities, retail stores, retail parks, computer rooms, small industrial units and store rooms.

DIMENSIONS

Standard height of 2150mm (can be reduced on site to suit)

Extension kits also available, increasing the height to 3000mm

Non-standard height single piece units readily available to separate instructions.

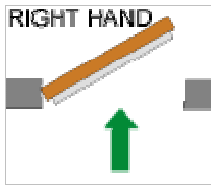
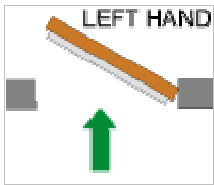
Mechanism zinc plated steel. External housings are aluminium.



SAFETY AND SECURITY WITH STYLE

MICO 942-3P / 942P

SURFACE MOUNTED 5 POINT LOCKING WITH PUSH PADS FOR DOUBLE DOORS



HANDING & DIRECTION

This unit is handed (LH or RH). When ordering double door units, specify the handing of the active leaf.

OPTIONS

Microswitching

To order specify: 942-3P MS (self handing)

To order specify: 942P MS (self handing)

Key Dogging

To order specify: 942-3P DC

To order specify: 942P DC

External Access

See optional alternatives.

Fixings

High security dowel fixings available. To order specify: 94210-3P / 94210P

Receivers

Dust proof and rim fixed receivers readily available. See optional alternatives.

Finishes

SAA finish supplied as standard. Wide range of other metallic and coloured (RAL) finishes available. Please ask for details.

HIGH SECURITY MULTI POINT LOCKING SYSTEMS