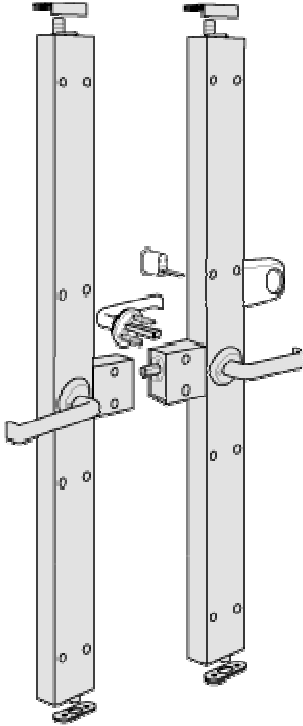




SAFETY AND SECURITY WITH STYLE

MICO 942-3L ARD / 942L

## SURFACE MOUNTED 5 POINT LOCKING WITH LEVER HANDLES AND AUTO RIM DEADLOCKING FOR DOUBLE DOORS



Drawing Not to Scale.

### OPERATION

Active leaf: 3 Point Locking with Lever Handle and Auto Rim Deadlocking

Passive leaf: 2 Point Locking with Lever Handle

High security multi-point locking allows for a fast easy operation to open a rebated double doorset. A MICO 3 point high security bolt with lever handle and auto rim deadlocking is fitted to the active leaf, and a 2 point MICO unit with lever handle is fitted to the passive leaf. Operating the lever handle on the active leaf, immediately retracts the locking shoots at the top, bottom and on the leading edge of the active leaf. Operating the lever handle on the passive leaf, immediately retracts the locking shoots at the top and bottom on the leading edge of the passive leaf. This emergency exit multi-point locking device allows for fast, single action operation to open the active leaf, and a simple second action to open the passive leaf as required. The unique light action automatic bolting is fitted as standard which automatically deadlocks the bolts in the locked position when the active leaf is closed. When unlocked (by key from the outside or thumbturn from the inside), the handle may be operated to unlock the active leaf. The bolts deadlock automatically when the door closes again. The sprung bolts are steel, non-tapered with a 23mm throw, offering a high level of security without compromising safety.

The independently sprung bolts are steel, non-tapered with a 23mm throw, offering a high level of safety without compromising security.

The unit when ordered as a complete double door set is supplied with a rim mounted receiver for the 3rd point locking shoot ensuring a secure interlock between the active and passive leaves.

### APPLICATIONS

Suitable for use in areas of high security 'lock and leave' applications where the door should automatically be deadlocked to prevent access to non-keyholders. The light dual action, ease of operation makes the MICO five point ideal for double escape doors requiring a higher level of security. Examples include bureau de change, cash centres, building societies and computer software rooms.

Suitable for inward or outward opening doors

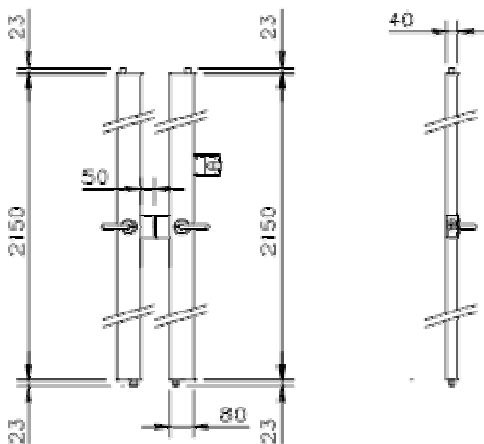
### DIMENSIONS

Standard height of 2150mm (can be reduced on site to suit)

Extension kits also available, increasing the height to 3000mm

Non-standard height single piece units readily available to separate instructions.

Mechanism zinc plated steel. External housings are aluminium.



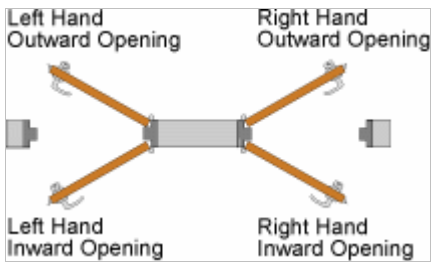
HIGH SECURITY MULTI POINT LOCKING SYSTEMS



SAFETY AND SECURITY WITH STYLE

MICO 942-3L ARD / 942L

SURFACE MOUNTED 5 POINT LOCKING WITH LEVER HANDLES AND AUTO RIM DEADLOCKING FOR DOUBLE DOORS



#### HANDING & DIRECTION

This unit is handed and directional. When ordering this double door unit, specify the handing of the active leaf (LH or RH) and the direction of opening (inwards or outwards, IN or OUT), as shown on the left.

#### OPTIONS

##### Microswitching

To order specify: 942-3L ARD MS (self handing)

To order specify: 942L MS (self handing)

To order specify: 942-3L ARD DC

To order specify: 942L DC

##### Key Dogging

##### External Access

By external handles on both leaves and a key cylinder on the active leaf. (cylinder specified separately)

##### Fixings

High security dowel fixings available. To order specify: 94210-3L ARD / 94210L

##### Receivers

Dust proof and rim fixed receivers readily available. See optional alternatives.

##### Finishes

SAA finish supplied as standard. Wide range of other metallic and coloured (RAL) finishes available. Please ask for details.

HIGH SECURITY MULTI POINT LOCKING SYSTEMS