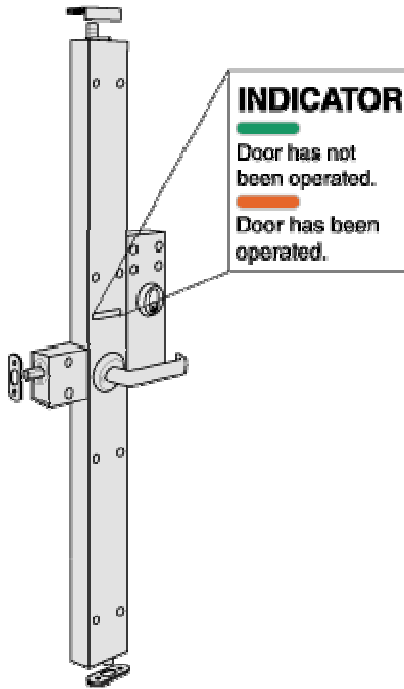




SAFETY AND SECURITY WITH STYLE

MICO 942-3L ALVI

SURFACE MOUNTED 3 POINT LOCKING WITH LEVER HANDLE AND VISUAL INDICATOR



OPERATION

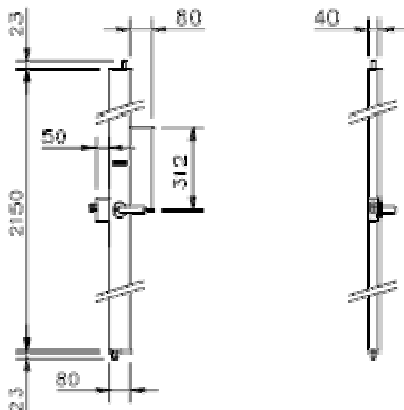
Operating the lever handle, immediately retracts the locking shoots at the top, bottom and on the leading edge of the door. This emergency panic exit device allows for fast, single action operation to open the door. The unique light action automatic bolting upon door closure is fitted as standard. Integrally fitted within the MICO unit is a red/green indicator to clearly show when the door has been operated. The door will relock upon closure, but the indicator can only be reset by a keyholder. The independently sprung bolts are steel of 16mm diameter, non-tapered with a 23mm throw, offering a high level of security without compromising on safety.

APPLICATIONS

Suitable for use in high security applications where the facility to check whether the door has been operated is important, and where the need for rapid escape in a potential emergency situation is always required. The light single action in the event of emergency escape makes the MICO ALVI system ideal for security escape doors that require a high level of security. Examples include Government establishments and list x companies

Successfully tested as part of a secure doorset to LPS 1175 Grade 4 and additionally tested and approved for use on Government establishments

Drawing Not to Scale. Drawing shows outward opening unit.



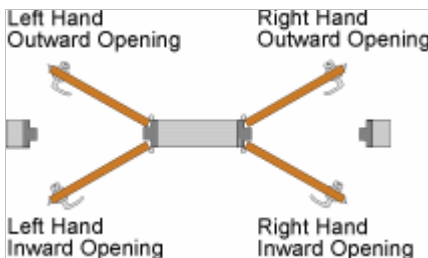
DIMENSIONS

Standard height of 2150mm (can be reduced on site to suit)

Extension kits also available, increasing the height to 3000mm

Non standard height single piece units readily available to separate instructions.

Mechanism zinc plated steel. External housings are aluminium.



HANDING & DIRECTION

This unit is handed and directional. When ordering please specify hand (LH or RH) and direction of opening (inwards or outwards, IN or OUT), as shown on the left.

OPTIONS

Microswitching
Key Dogging
External Access
Fixings

Receivers

Finishes

To order specify: 942-3L ALVI MS (self handing)

To order specify: 942-3L ALVI DC

By key cylinder and external handle.

High security dowel fixings available. To order specify: 94210-3L ALVI

Dust proof and rim fixed receivers readily available. See optional alternatives.

SAA finish supplied as standard. Wide range of other metallic and coloured (RAL) finishes available. Please ask for details.

HIGH SECURITY MULTI POINT LOCKING SYSTEMS