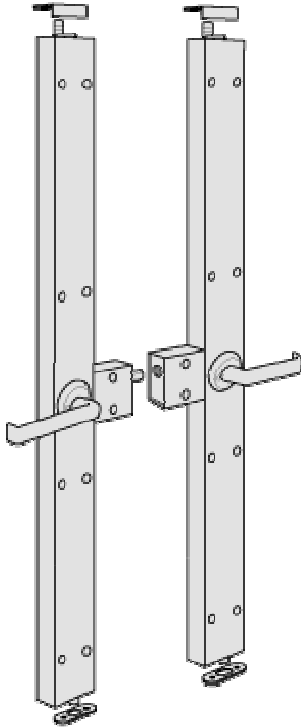




SAFETY AND SECURITY WITH STYLE

MICO 942-3L / 942L

SURFACE MOUNTED 5 POINT LOCKING WITH LEVER HANDLES FOR DOUBLE DOORS



Drawing Not to Scale.

OPERATION

Active leaf: 3 Point Locking with Lever Handle

Passive leaf: 2 Point Locking with Lever Handle

High security multi-point locking allows for a fast easy operation to open a rebated double doorset. A MICO 3 point high security bolt with lever handle and auto rim deadlocking is fitted to the active leaf, and a 2 point MICO unit with lever handle is fitted to the passive leaf. Operating the lever handle on the active leaf, immediately retracts the locking shoots at the top, bottom and on the leading edge of the active leaf. Operating the lever handle on the passive leaf, immediately retracts the locking shoots at the top and bottom on the leading edge of the passive leaf. This multi-point locking device allows for fast, single action operation to open the active leaf, and a simple second action to open the passive leaf as required. The unique light action automatic bolting upon door closure is fitted as standard.

The independently sprung bolts are steel, non-tapered with a 23mm throw, offering a high level of safety without compromising security.

The unit when ordered as a complete double door set is supplied with a rim mounted receiver for the 3rd point locking shoot ensuring a secure interlock between the active and passive leaves.

APPLICATIONS

Suitable for use in areas where occupants are likely to be familiar with the operation of the exit device. The light single action, ease of operation makes the MICO three point ideal for single escape doors requiring a higher level of security. Examples include local authorities, retail stores, retail parks, computer rooms, small industrial units and store rooms.

Suitable for inward or outward opening doors

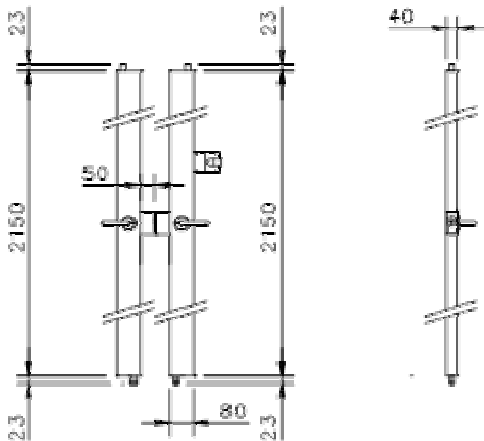
DIMENSIONS

Standard height of 2150mm (can be reduced on site to suit)

Extension kits also available, increasing the height to 3000mm

Non-standard height single piece units readily available to separate instructions.

Mechanism zinc plated steel. External housings are aluminium.



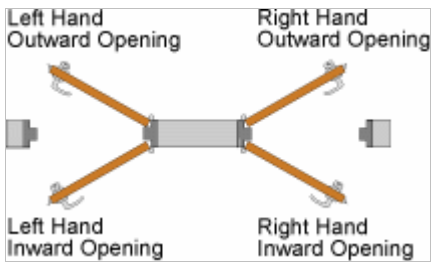
HIGH SECURITY MULTI POINT LOCKING SYSTEMS



SAFETY AND SECURITY WITH STYLE

MICO 942-3L / 942L

SURFACE MOUNTED 5 POINT LOCKING WITH LEVER HANDLES FOR DOUBLE DOORS



HANDING & DIRECTION

This unit is handed and directional. When ordering this double door unit, specify the handing of the active leaf (LH or RH) and the direction of opening (inwards or outwards, IN or OUT), as shown on the left.

OPTIONS

Microswitching

To order specify: 942-3L MS (self handing)

To order specify: 942L MS (self handing)

Key Dogging

To order specify: 942-3L DC

To order specify: 942L DC

External Access

By external handles on both leaves and a key cylinder on the active leaf. (cylinder specified separately)

Fixings

High security dowel fixings available. To order specify: 94210-3L / 94210L

Receivers

Dust proof and rim fixed receivers readily available. See optional alternatives.

Finishes

SAA finish supplied as standard. Wide range of other metallic and coloured (RAL) finishes available. Please ask for details.

HIGH SECURITY MULTI POINT LOCKING SYSTEMS