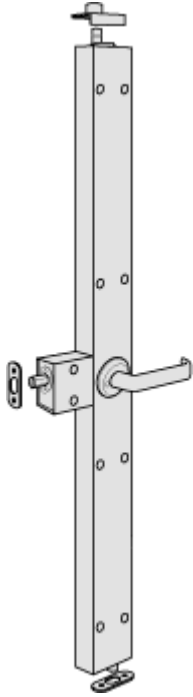




**SURFACE MOUNTED 3 POINT LOCKING WITH LEVER HANDLE**



**OPERATION**

Operating the lever handle, immediately retracts the locking shoots at the top, bottom and on the leading edge of the door. This emergency exit device allows for fast, single action operation to open the door. The unique light action automatic bolting upon door closure is fitted as standard. The independently sprung bolts are steel, non-tapered with a 23mm throw, offering a high level of security without compromising safety.



**APPLICATIONS**

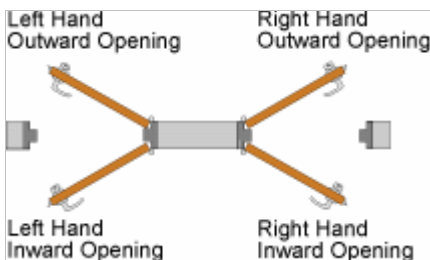
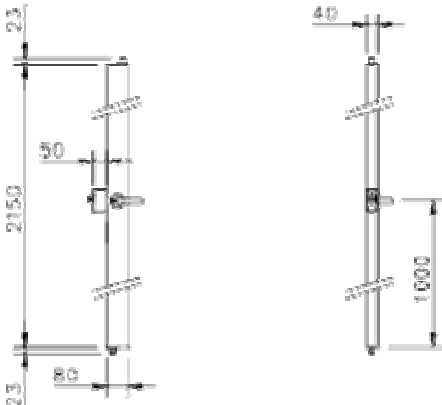
Suitable for use in areas where occupants are likely to be familiar with the operation of the emergency exit device. The light single action, ease of operation makes the MICO three point ideal for single escape doors requiring a higher level of security. Examples include local authorities, retail stores, retail parks, computer rooms, small industrial units and store rooms.

Suitable for inward or outward opening doors

Conforms to all the requirements of BS EN 179 Certified to CE No. 37601341A

**DIMENSIONS**

Standard height of 2150mm (can be reduced on site to suit)  
 Extension kits also available, increasing the height to 3000mm  
 Non standard height single piece units readily available to separate instructions.  
 Mechanism zinc plated steel. External housings are aluminium.



**HANDING**

This unit is handed and directional. When ordering please specify hand (LH or RH) and direction of opening (inwards or outwards, IN or OUT), as shown on the left.

**OPTIONS**

- Microswitching**
- Key Dogging**
- External Access**
- Fixings**
- Receivers**
- Finishes**

To order specify: 942-3L MS (self handing)  
 To order specify: 942-3L DC  
 See external devices.  
 High security dowel fixings available. To order specify: 94210-3L  
 Dust proof and rim fixed receivers readily available. See optional accessories.  
 SAA finish supplied as standard. Wide range of other metallic and coloured (RAL) finishes available. Please ask for details.

HIGH SECURITY MULTI POINT LOCKING SYSTEMS