



SAFETY AND SECURITY WITH STYLE

MICO HSCH 4

HIGH SECURITY CYLINDER HOUSING C/W CYLINDER PROTECTION

OPERATION

A very high security cylinder escutcheon, which allows external deadlocking operation of the MICO MSD and INT units. The lever handle is deactivated, making access impossible whilst the unit is locked. The cylinder protection spinning disc manufactured from hi tech material and the hardened steel housing protects the cylinder from attack and forced entry. A unique sprung cylinder extension arm connects the cylinder to the Mico unit.



APPLICATIONS

Suitable for use in areas where high security is of paramount importance. These include government establishments, MOD, clearing banks and sensitive secure areas. Suitable for use with Scandinavian Oval cylinders. For other cylinders please contact Tindall Engineering Ltd technical department.

Tested and approved by central government.

COMPATIBLE CYLINDERS

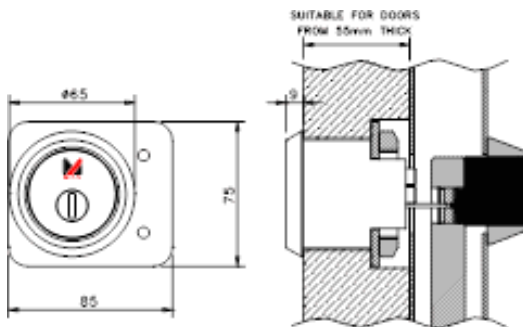
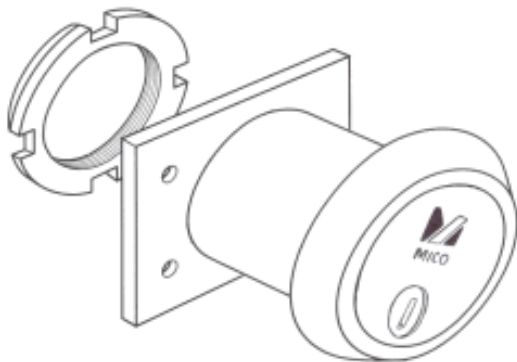
Scandinavian Oval.

DIMENSIONS

Suitable for door thicknesses 45mm and greater. For doors less than 45mm contact Tindall Engineering Ltd technical department.

HEADING

Self Handing



EXTERNAL DEVICES