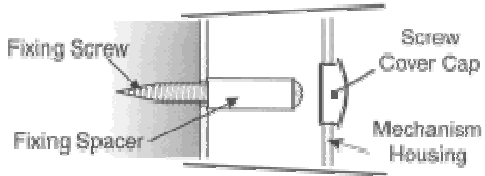
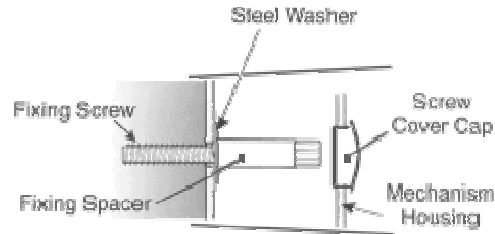




FOR SURFACE MOUNTED MULTI-POINT LOCKS

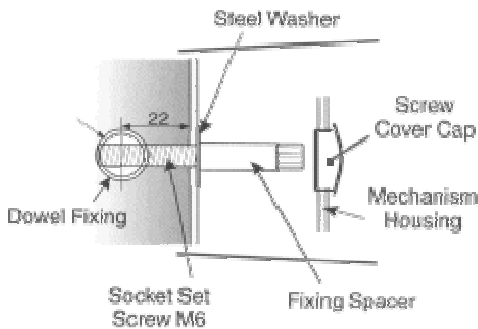
**STANDARD FIXINGS (Timber Doors)**

The standard Mico multi-point wood screw fixings for timber doors are supplied with steel spacers. This provides for easy control of the woodscrew on installation. The fixings are concealed behind screw cover caps reducing the risk of vandalism but maintaining the aesthetics of the Mico unit.

**STANDARD FIXINGS (Steel Doors)**

The Mico multi-point M6 screw fixings for steel doors are supplied with steel spacers. This provides for easy control of the M6 cap head screw on installation. The fixings are concealed behind screw cover caps reducing the risk of vandalism but maintaining the aesthetics of the Mico unit.

Fixings for steel doors must be specified when ordering the Mico multi-point units.

**DOWEL FIXINGS (Timber Doors)**

The Mico multi-point M6 screw fixings for timber doors are supplied with steel spacers complete with steel flange. The M6 bolts screw into the steel dowels which are morticed within the timber door. This provides very high security fixings for timber doors. The fixings are concealed behind screw cover caps reducing the risk of vandalism but maintaining the aesthetics of the Mico unit. Dowel fixing kits are available to separate instructions but are included as standard in any Mico unit which has '10' added to the product code.

eg standard Mico fixings: 942-3
standard Mico fixings: 942-3MSD

Dowel fixings: 94210-3
Dowel fixings: 94210-3 MSD