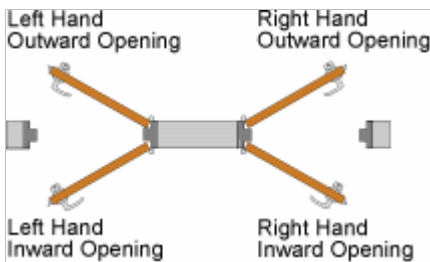
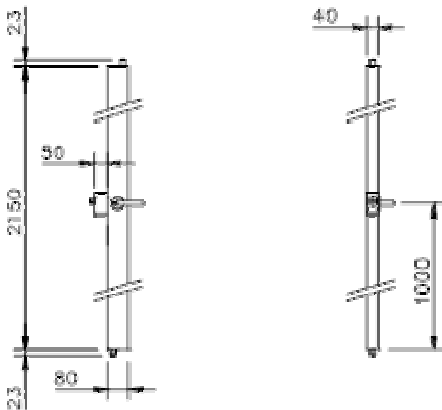




SURFACE MOUNTED 3 POINT LOCKING WITH LEVER HANDLE AND FAIL SAFE SOLENOID OPERATION



Drawing Not to Scale. Drawing shows outward opening unit.



OPERATION

High security multi point locking allowing fast, easy operation of a door. Integrally fitted with electro mechanical/solenoid system for use with access control systems. Egress by swipe card, push or rocker switch will release the light action lever handle which operates the locking shoots at the top, bottom and on the leading edge of the door. Automatic bolting upon door closure is fitted as standard. Access is gained by card swipe, keypad or proximity reader. In the event of power failure the system reverts to fail safe allowing the lever handle to immediately engage to retract the locking shoots. Bolts are steel, non-tapered with a 23mm throw. Offers a high level of multi-point security with access control.

APPLICATIONS

Suitable for use in areas where high security with controlled monitored operation is required. The light action in the event of escape makes the MICO 3 point electro mechanical system ideal for cash rooms, bureau de changes, reception areas. Suitable for inward or outward opening doors

DIMENSIONS

Standard height of 2150mm (can be reduced on site to suit)
 Extension kits also available, increasing the height to 3000mm
 Non standard height single piece units readily available to separate instructions.

HANDING & DIRECTION

This unit is handed and directional. To order specify handing (LH or RH) and direction of opening (inwards or outwards, IN or OUT), as shown on the left.

OPTIONS

Microswitching	To order specify: 942-3L EM (Fail safe) MS
Key Dogging	N/A
External Access	Lever handle and card swipe, key pad, proximity reader. (readers etc supplied to separate instructions.)
Fixings	High security dowel fixings available. To order specify: 94210-3L EM (Fail safe)
Receivers	Dust proof and rim fixed receivers readily available. See optional alternatives.
Finishes	SAA finish supplied as standard. Wide range of other metallic and coloured (RAL) finishes available. Please ask for details.
Actuators	Can be supplied with Lever (suffix L) Push Pad (suffix P) or if push plate required specify product code only
Control Box	Electronic control box 240 volts AC - 24/12 volts DC. See optional alternatives for more details.

SINGLE & MULTI POINT LOCKING SYSTEMS FOR ACCESS CONTROL